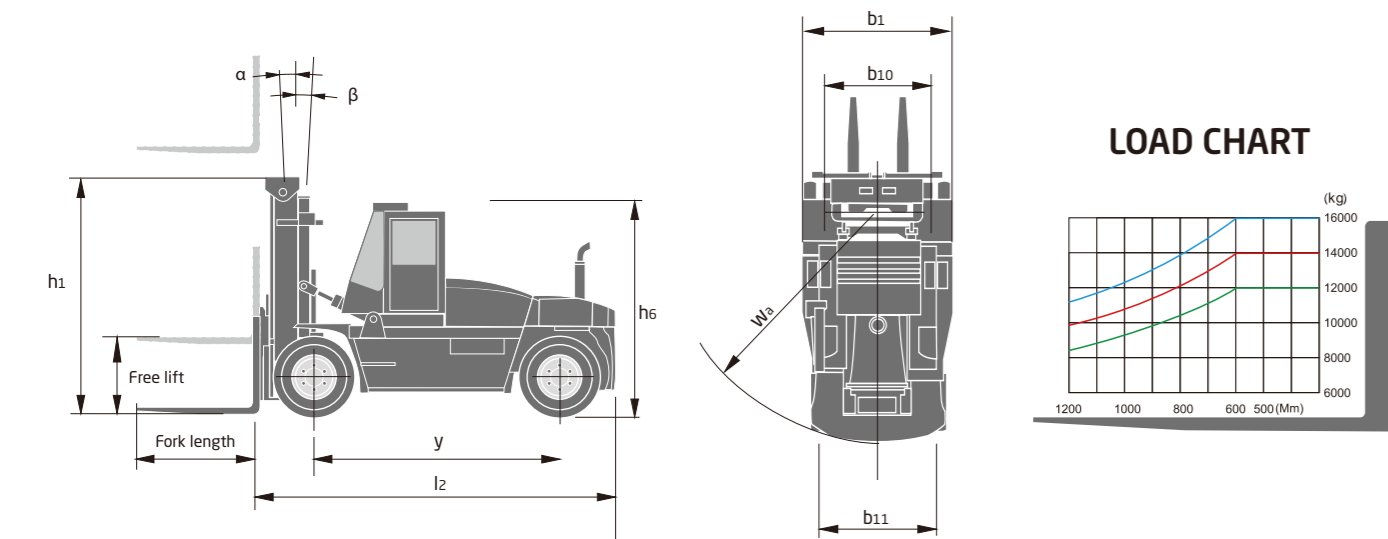


Heavy IC Forklift Truck

		HANGCHA GROUP CO.,LTD.									
		CPCD120-XG57	CPCD120-XW25	CPCD120-XW79	CPCD140-XG57	CPCD140-XW25	CPCD140-XW79	CPCD160-XG57	CPCD160-XW25	CPCD160-XW79	
Distinguishing mark	1.1 Manufacturer	HANGCHA GROUP CO.,LTD.									
	1.2 Manufacturer's type designation	CPCD120-XG57 CPCD120-XW25 CPCD120-XW79 CPCD140-XG57 CPCD140-XW25 CPCD140-XW79 CPCD160-XG57 CPCD160-XW25 CPCD160-XW79									
Weight	1.3 Drive: electric (battery or mains), diesel, petrol, fuel gas	Diesel	Diesel	Diesel	Diesel	Diesel	Diesel	Diesel	Diesel	Diesel	
	1.4 Operator type: hand, pedestrian, standing, seated, order-picker	Seated	Seated	Seated	Seated	Seated	Seated	Seated	Seated	Seated	
	1.5 Rated capacity/rated load	Q (kg)	12000	12000	12000	14000	14000	14000	16000	16000	
	1.6 Load centre distance	c (mm)	600	600	600	600	600	600	600	600	
	1.8 Load distance, centre of drive axle to fork	x (mm)	760	760	760	785	785	785	805.5	805.5	
	1.9 Wheelbase	y (mm)	3000	3000	3100	3100	3100	3100	3100	3100	
	2.1 Service Weight	kg	15600	15600	15600	17600	17600	17600	19200	19200	
Tyres, chassis	3.1 Tyres: solid rubber, superelastic, pneumatic, polyurethane	Pneumatic	Pneumatic	Pneumatic	Pneumatic	Pneumatic	Pneumatic	Pneumatic	Pneumatic	Pneumatic	
	3.2 Tyre size, front	10.00-20-14PR	10.00-20-14PR	10.00-20-14PR	11.00-20-18PR	11.00-20-18PR	11.00-20-18PR	12.00-20-20PR	12.00-20-20PR	12.00-20-20PR	
	3.3 Tyre size, rear	10.00-20-14PR	10.00-20-14PR	10.00-20-14PR	11.00-20-18PR	11.00-20-18PR	11.00-20-18PR	12.00-20-20PR	12.00-20-20PR	12.00-20-20PR	
	3.6 Tread, front	b10 (mm)	1780	1780	1780	1780	1780	1780	1780	1780	
Dimensions	3.7 Tread, rear	b11 (mm)	1920	1920	1920	1890	1890	1890	1890	1890	
	4.1 Tilt of mast/fork carriage forward/backward	α/β (°)	6/12	6/12	6/12	6/12	6/12	6/12	6/12	6/12	
	4.2 Height, mast lowered	h1 (mm)	3180	3180	3180	3270	3270	3270	3290	3290	
	4.4 Lift	h3 (mm)	3000	3000	3000	3000	3000	3000	3000	3000	
	4.7 Height of overhead guard	h6 (mm)	2930	2930	2930	3060	3060	3060	3080	3080	
	4.19 Overall length	l1 (mm)	6000	6000	6070	6210	6210	6210	6320	6320	
	4.20 Length to face of forks	l2 (mm)	4500	4500	4570	4710	4710	4710	4820	4820	
	4.21 Overall width	b1 (mm)	2420	2420	2480	2480	2480	2480	2480	2480	
	4.22 Fork dimensions ISO 2331	s/e/l (mm)	1500x200x80	1500x200x80	1500x200x80	1500x200x85	1500x200x85	1500x200x90	1500x200x90	1500x200x90	
	4.25 Distance between fork-arms	b5 (mm)	520/2200	520/2200	520/2200	520/2200	520/2200	520/2200	520/2200	520/2200	
	4.31 Ground clearance, laden, below mast	m1 (mm)	250	250	250	250	250	270	270	270	
	4.32 Ground clearance, centre of wheelbase	m2 (mm)	315	315	330	330	330	330	350	350	
4.35 Turning radius	Wa (mm)	4150	4150	4250	4350	4350	4450	4450	4450		
Performance Data	5.1 Travel speed, laden/unladen	km/h	23/27	23/27	22/26	24/28	24/28	23/27	25/29	25/29	
	5.2 Lift speed, laden/unladen	m/s	0.330/0.360	0.330/0.360	0.315/0.345	0.345/0.385	0.345/0.385	0.330/0.365	0.335/0.365	0.335/0.365	
	5.5 Drawbar pull, laden/unladen	N	100000/-	100000/-	100000/-	115000/-	115000/-	115000/-	125000/-	125000/-	
	5.7 Gradeability, laden/unladen	%	20/-	20/-	20/-	20/-	20/-	20/-	20/-	20/-	
	5.10 Service brake		Pneumatic Drum			Pneumatic Drum			Pneumatic Drum		
Combustion-engine	7.1 Engine manufacturer/type		CHINA/YC6160-T300	CUMMINS/QSB6.7-C160	CUMMINS/QSB6.7-C160	CHINA/YC6160-T300	CUMMINS/QSB6.7-C160	CUMMINS/QSB6.7-C160	CHINA/YC6160-T300	CUMMINS/QSB6.7-C160	
	7.2 Emission STD		Stage3A/Tier3	Stage4/Tier4	Stage4/Tier4	Stage3A/Tier3	Stage4/Tier4	Stage4/Tier4	Stage3A/Tier3	Stage4/Tier4	
	7.3 Engine power according to DIN ISO 1585	kw	118	119	118	118	119	118	118	118	
	7.4 Rated speed	min	2200	2300	2100	2200	2100	2200	2300	2100	
	7.4 Number of cylinders/displacement	(-)/(cm³)	6/6500	6/6700	6/6700	6/6500	6/6700	6/6700	6/6500	6/6700	
	7.10 Battery voltage/nominal capacity	V/Ah	2x12/120	2x12/120	2x12/120	2x12/120	2x12/120	2x12/120	2x12/120	2x12/120	
	Rated torque	N.m/r/min	650/1400-1700	731/1500	841/1500	650/1400-1700	731/1500	841/1500	650/1400-1700	731/1500	
	Bore x stroke	mm	105x125	107x124	107x124	105x125	107x124	107x124	105x125	107x124	
Stage Fwd/RVS		2/1	2/1	2/1	2/1	2/1	2/1	2/1	2/1		
10.1 Operating pressure for attachments	bar	200	200	200	200	200	200	200	200		



12.0-16.0t Forklift Mast Specification

Type	Model	Mast fork height	Overall height		Tilt range		Capacity
			Lowered	Extended	FWD	RWD	load capacity at 600mm
							Without backrest
		mm	mm	mm	(°)	(°)	kg
GX120MX	GX120M300	3000	3180	4695	6	12	12000
	GX120M330	3300	3330	4995	6	12	12000
	GX120M360	3600	3480	5295	6	12	12000
	GX120M400	4000	3680	5695	6	12	12000
	GX120M430	4300	3880	6030	6	6	12000
	GX120M450	4500	3980	6230	6	6	12000
	GX120M480	4800	4130	6530	6	6	12000
	GX120M500	5000	4230	6730	6	6	12000
	GX120M550	5500	4530	7280	3	6	10000
	GX120M600	6000	4780	7780	3	6	9000
GX140MX	GX140M300	3000	3270	4770	6	12	14000
	GX140M330	3300	3420	5070	6	12	14000
	GX140M360	3600	3570	5370	6	12	14000
	GX140M400	4000	3770	5770	6	12	14000
	GX140M430	4300	3970	6120	6	12	14000
	GX140M450	4500	4070	6320	6	12	14000
	GX140M480	4800	4220	6620	6	6	14000
	GX140M500	5000	4320	6820	6	6	14000
	GX140M550	5500	4620	7370	3	6	12000
	GX140M600	6000	4870	7870	3	6	11000
GX160MX	GX160M300	3000	3290	4790	6	12	16000
	GX160M330	3300	3440	5090	6	12	16000
	GX160M360	3600	3590	5390	6	12	16000
	GX160M400	4000	3790	5790	6	12	16000
	GX160M430	4300	3990	6140	6	12	16000
	GX160M450	4500	4090	6340	6	12	16000
	GX160M480	4800	4240	6640	6	6	16000
	GX160M500	5000	4340	6840	6	6	16000
	GX160M550	5500	4640	7390	3	6	14000
	GX160M600	6000	4890	7890	3	6	12500



HANGCHA

Hangcha Europe GmbH

Mariechen-Graulich-Straße 12a,
65439 Flörsheim am Main,
Germany

Administration
Tel: 0049-61453769188
E-mail: admin@hangchaeurope.com

Sales Management
Thomas Dittrich
Mob: 0049-16096548808
E-mail: thomas.dittrich@hangchaeurope.com

Technical Support
Thomas Pannke
Mob: 0049-01759284213
E-mail: thomas.pannke@hangchaeurope.com

www.hangchaeurope.com



HANGCHA Group Co., LTD behält sich das Recht vor, Änderungen bezgl. Farbe, Spezifikationen, Ausstattung und sonstige Details, dieser Broschüre ohne Vorankündigung vorzunehmen. Fahrzeugfarben können von den Farben in dieser Broschüre abweichen.

Heavy IC Forklift Truck

with capacities of 12,000 to 16,000kg

The World of Hangcha



Heavy IC Forklift Truck

Environment/
Efficiency/
Economy



Drive Axle

/ Made in China, HANGCHA-customized, heavy-duty master reducer, pneumatic brake system.

Gear-box

/ Imported gear-box, multi-stage torque converter, big converter ratio, wide range of auto-adjust speed; stable and smooth shift, 2 stage forward and 1 stage backward, easy operation and maintenance.

Steering System

/ HANGCHA-made crosswise steering axle; The steering with load sensor and adjustable steering device make the operation easily.

Hydraulic System

/ Multi-hydraulic valve make it easy to operate. Load sensor hydraulic system, dual pumps supply, dynamic load sensor priority valve, reduce power consumption, lower the hydraulic oil temperature.

Chassis

/ The combined chassis structure provide the high intensity and low weight feature, increase the cooling area of the oil tank greatly.

Power System

/ The customer can choose Cummins turbo 6 cylinder engine or Yuchai engine which according with the GB3 Emission Regulation, high performance, low oil consumption, low speed with high torque, great capacity cooler.

Brake System

/ Adopt auto parts, air braking system improves the comfort also reduce the pollution cause by oil leakage.

Lifting Assembly

/ Wide view mast provide great operator visibility; Dual limited speed valves increase the safety; Distance between forks can be adjusted manually is the standard feature, customer can choose fork positioner or sidershifter.

Overhead Guard

/ Full suspension overhead guard connected the chassis with 4 pivots using the rubber; Tilted structure is easy for maintenance; Smaller column and steering wheel increase the operator space.

Electrical System

/ The instrument show all information about the forklift; it will sound alert when low brake pressure or non-lease parking brake.

Standard Specification

- / Hour meter
- / Overhead guard
- / Full hydraulic power steering
- / Wide view duplex mast
- / Standard forks
- / Pneumatic tyre
- / Toolbox
- / Cabin with heater and air conditioner (Only for W79)

Options

- / 2.5-6.0m duplex mast
- / Special carriage and backrest
- / Solid tyre
- / Heater and air conditioner
- / Other dimension forks
- / Other attachment
- / Fire extinguisher
- / Suspension seat
- / Dual air cleaner or special air cleaner
- / Rear working light
- / Customer painting
- / Cab
- / Hydraulic positioner

